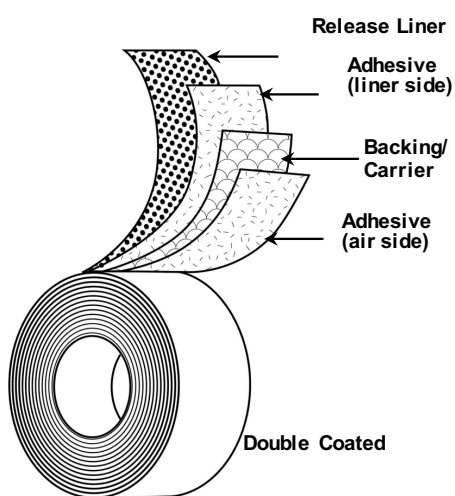


## Tissue Supported Double-Sided Tape



**Carrier:** Tissue  
**Adhesive:** Synthetic Rubber (HM806)  
**Liner:** 42# SC Kraft with Finger-Lift Edge™

### Product Constructions Available

Number	TW	TL	AW	Number	TW	TL	AW
7308	0.5"	216'	0.25"	0321	0.5"	2000'	0.25"
7309	0.75"	216'	0.5"	0322	0.75"	2000'	0.5"
7310L	1"	216'	0.75"	0317	1"	2000'	0.75"
7311	0.5"	1300'	0.25"	7349	0.75"	4500'	0.5"
7312	0.75"	1300'	0.5"	7350	1"	4500'	0.75"
7316	1"	1300'	0.75"				
7327	1.5"	1300'	1.25"	7964A (BL)	0.5"	1320'	0.375"
7359	2"	1300'	1.75"	0822A (BL)	0.75"	1320'	0.5"
7801	0.75"	1500'	0.5"	0823A (BL)	1"	1320'	0.75"

### Applications

- Mounting heavy posters and signs
- Promotional displays
- Inventory tags
- Business forms
- Mounting name plates and decals
- Permanent poly bag sealing
- SBS chipboard package sealing and assembly
- Kraft envelope sealing

### Features

- Synthetic Rubber Adhesive
- Tissue Carrier
- Finger-lift Edge Liner

### Benefits

- Exceptional holding strength
- Superior performance on heavier weight papers and light board stocks
- Provides support and conformability
- Hand tearable
- Easy to start
- Liner removes clean and smooth

### Typical Test Values

	Standard UOM	Metric UOM	Test Method
<b>Tape Thickness (w/o liner)</b>	3.7 mils	0.094 mm	PSTC 133
<b>Liner Thickness</b>	2.6 mils	0.066 mm	PSTC 133
<b>Overall Thickness</b>	6.3 mils	0.160 mm	PSTC 133
<b>Adhesion to Steel (Air Side)</b>	70 oz/in	7.66 N/cm	PSTC 101 Mod
<b>Adhesion to Steel (Liner Side)</b>	85 oz/in	9.30 N/cm	PSTC 101 Mod
<b>Application Temperature Range</b>	40 to 105 °F	4 to 40 °C	
<b>Operating Temperature Range</b>	-20 to 160 °F	-29 to 71 °C	

Recommended Storage Conditions: 60-80 °F at 40-60% RH  
 Standard Shelf Life (at 25 °C): 36 months from date of manufacture.

The information presented herein was prepared at BERRY GLOBAL, INC. (25 Forge Parkway Franklin, MA 02038) by qualified technical personnel. To Berry's knowledge it is true and accurate. However, the information and recommendations are furnished for these products with the understanding that the purchaser or user, as the case may be, will independently determine that the product is suitable for the intended use, and that such use complies with all applicable federal, state and local laws and regulations. The data are typical values submitted only for the user's information and consideration, and do not constitute a warranty of any kind (including but not limited to a warranty of merchantability or of fitness for a particular purpose), or a representation for which BERRY assumes any legal responsibility.